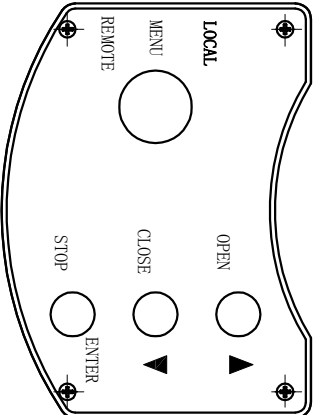
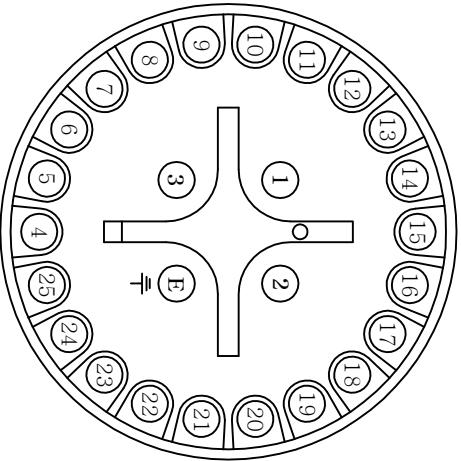


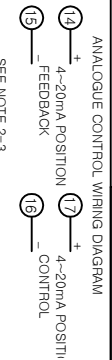
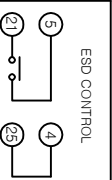
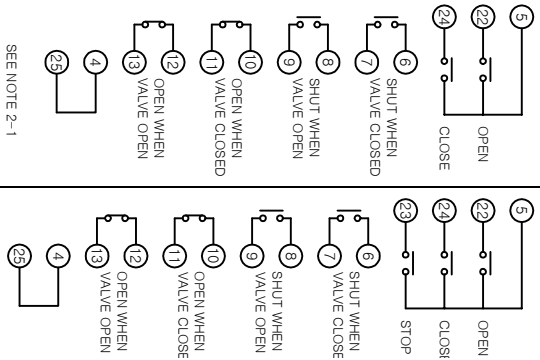
Note 2-1  
CHANGE REMOTE CONTROL INTO SWITCHING VALUE CONTINUOUS CONTROL WHEN USING THIS.

Note 2-2  
USE THIS AND CHANGE REMOTE CONTROL INTO SWITCHING VALUE PULSE CONTROL WHEN CONTROL SIGNALS ARE BURST PULSES.

Note 2-3  
CHANGE REMOTE CONTROL INTO ANALOGUE IN MENU OF ACTUATORS WHEN USING THIS.



25% OPEN LOCAL READY  
INCHING CONTROL WIRING DIAGRAM



When all connecting are made, ensure O-rings are in good condition and screw are tightened. Terminal compartment instruction refer to P16.

LIMIT SWITCH POSITION

NUM	NAME	CONTACT	VALVE POSITION	
			0%	100%
S1	CLS	6-7		
S2	OLS	8-9		
S3	CLS	10-11		
S4	OLS	12-13		

**NTORK** NEWTORK KOREA CO., LTD.

DRWN/	J.W. CHAE	DATE.	2018-08-08	DWG TITLE.	NTR SERIES WIRING DIAGRAM
CHKD.	Y.S. KIM	REV.	0		
APRD.	E.M. HUH	SHEET NO.	1 OF 1	DWG NO.	NTI-QP-701