

Note 2-1  
Internal power supply voltage is 24VDC  
When the external control voltage is 20~60V DC/AC, the common terminal is 36.  
When the external control Voltage is 20~120V DC/AC, the common terminal is 40.

Note 2-2  
Valve open when contact closed valve closed when contact open the function require that opening valve is set to be preferential.

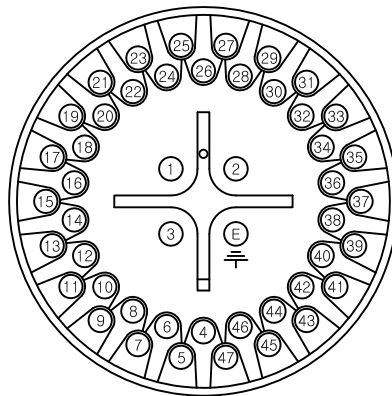
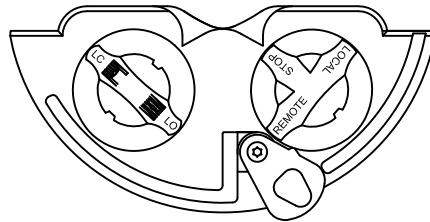
Note 2-3  
Valve open when contact open the function require that closing the function require that closing valve is set to be preferential.

Note 2-4  
ESD can be set to close valve, open valve and stay up.

Note 2-5  
Connect terminals 1 and 2 when the power for the actuator is single.

Note 2-6  
The indication content of four feedback relay is set freely.  
Refer to instruction.

Note 2-7 (OPTION)  
Analogue input signal can be 4~20mA, 0~20mA, 0~5V, 0~10V.  
The default is 4~20mA.  
Please refer to instruction if changes are required.



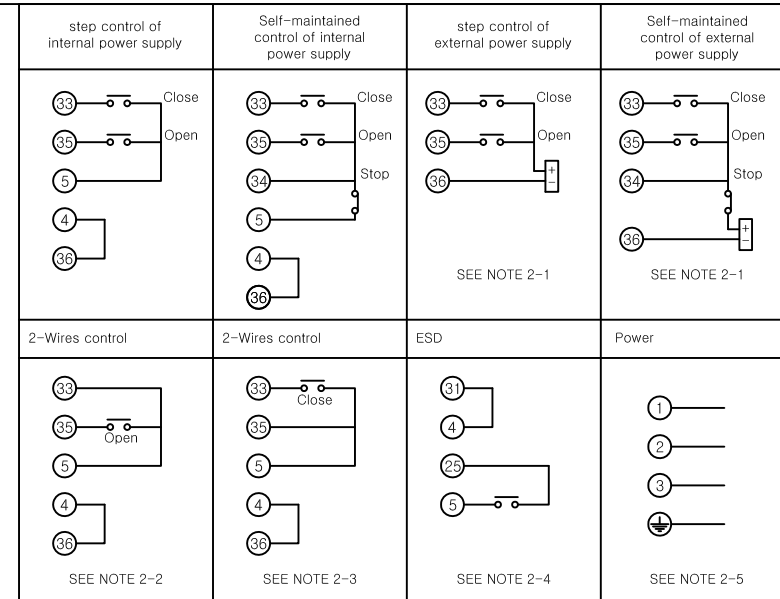
LIMIT SWITCH POSITION

NUM	NAME	CONTACT	VALVE POSITION		
			0%	INTERMEDIATE	100%
S1	CLS	6-7	█		
S2	OLS	8-9			█
S3	CLS	10-11	█	█	
S4	OLS	12-13		█	█

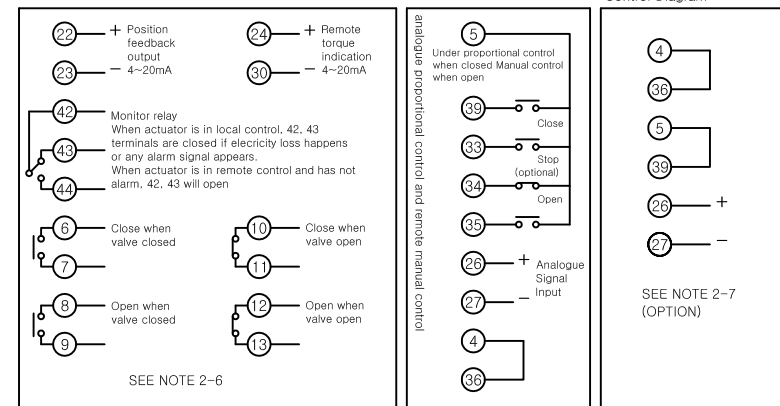
TAPPING

	50HZ	60HZ
W	220V	230V
X	380V	400V
Y	415V	420V
Z	440V	460V

FUSE F1 - 250mA ANTI SURGE



Feedback



<b>TORK</b> NEWTORK KOREA CO., LTD.		
DRWN. J.W. CHAE	DATE. 2018-08-08	DWG TITLE. NTI / NTIT SERIES WIRING DIAGRAM
CHKD. Y.S. KIM	REV. 	
APRD. E.M. HUH	SHEET NO. 1 OF 1	DWG NO. NTI-QP-702