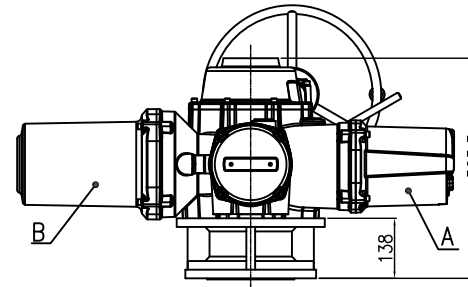
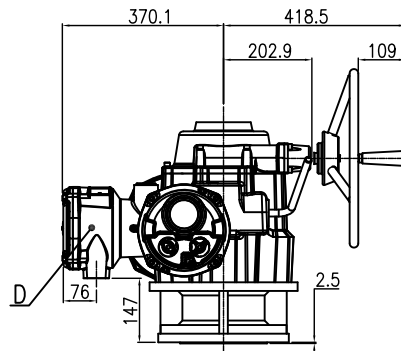
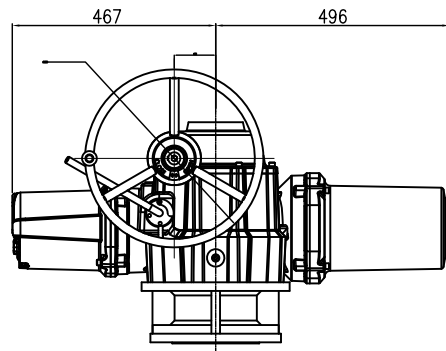


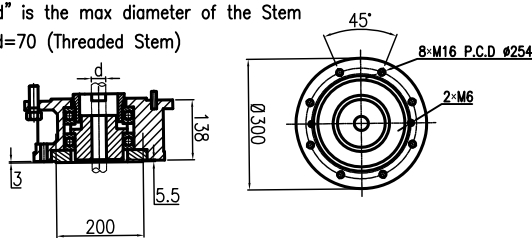
	PART NAME	Q'TY	REMARK
A	Control Room	1	
B	Motor	1	
C	Hand Wheel	1	
D	Terminal Compartment	1	
E	Hand Auto Lever	1	
F	Cable Entries	3	

NOTE

- 1
- 2

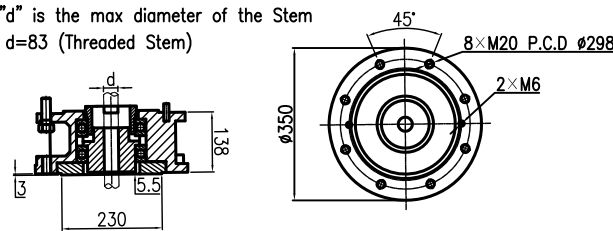


"d" is the max diameter of the Stem
d=70 (Threaded Stem)



F25 Type A Coupling and Base details

"d" is the max diameter of the Stem
d=83 (Threaded Stem)



F30 Type A Coupling and Base details

NEWTORK NEWTORK KOREA CO., LTD.

DATE 2024-07-15	REV. 2	DWG TITLE NTI SERIES LAYOUT DRAWING
DRWN. J.W. CHAE	SHEET NO. 1 OF 1	NTI-07
CHKD. Y.S. KIM	SCALE 1 : 1	DWG NO. NTK-QP-104-A
APRD. E.M. HUH		